



FIG.2A

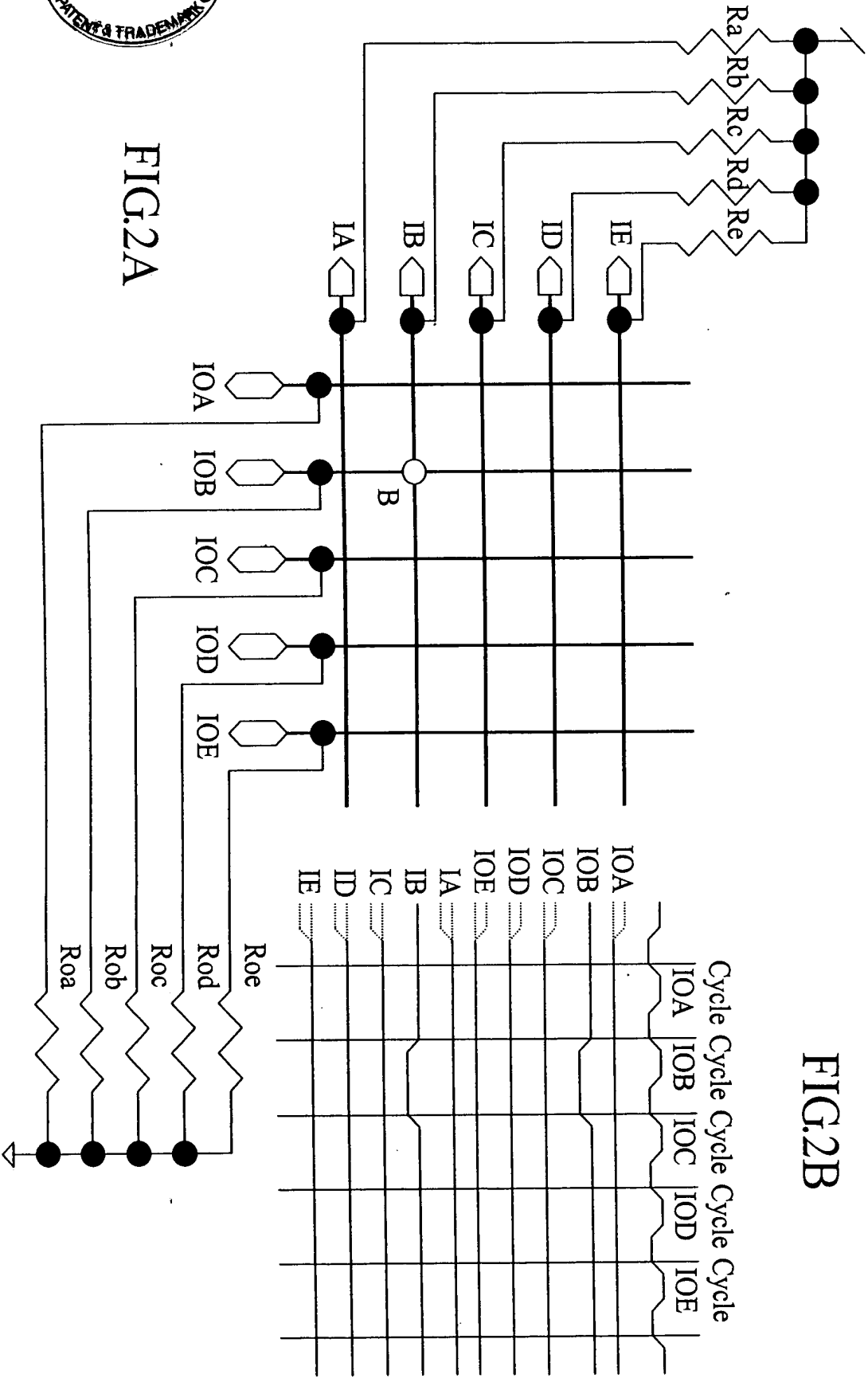
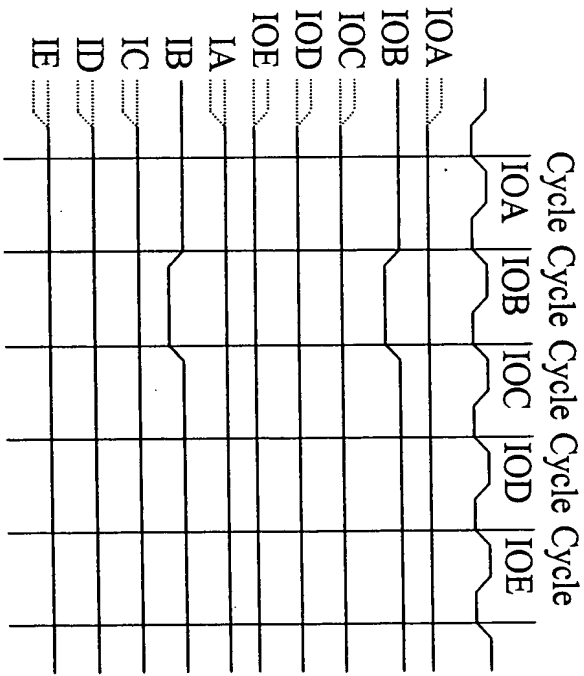


FIG.2B



Replacement sheet



FIG.3A

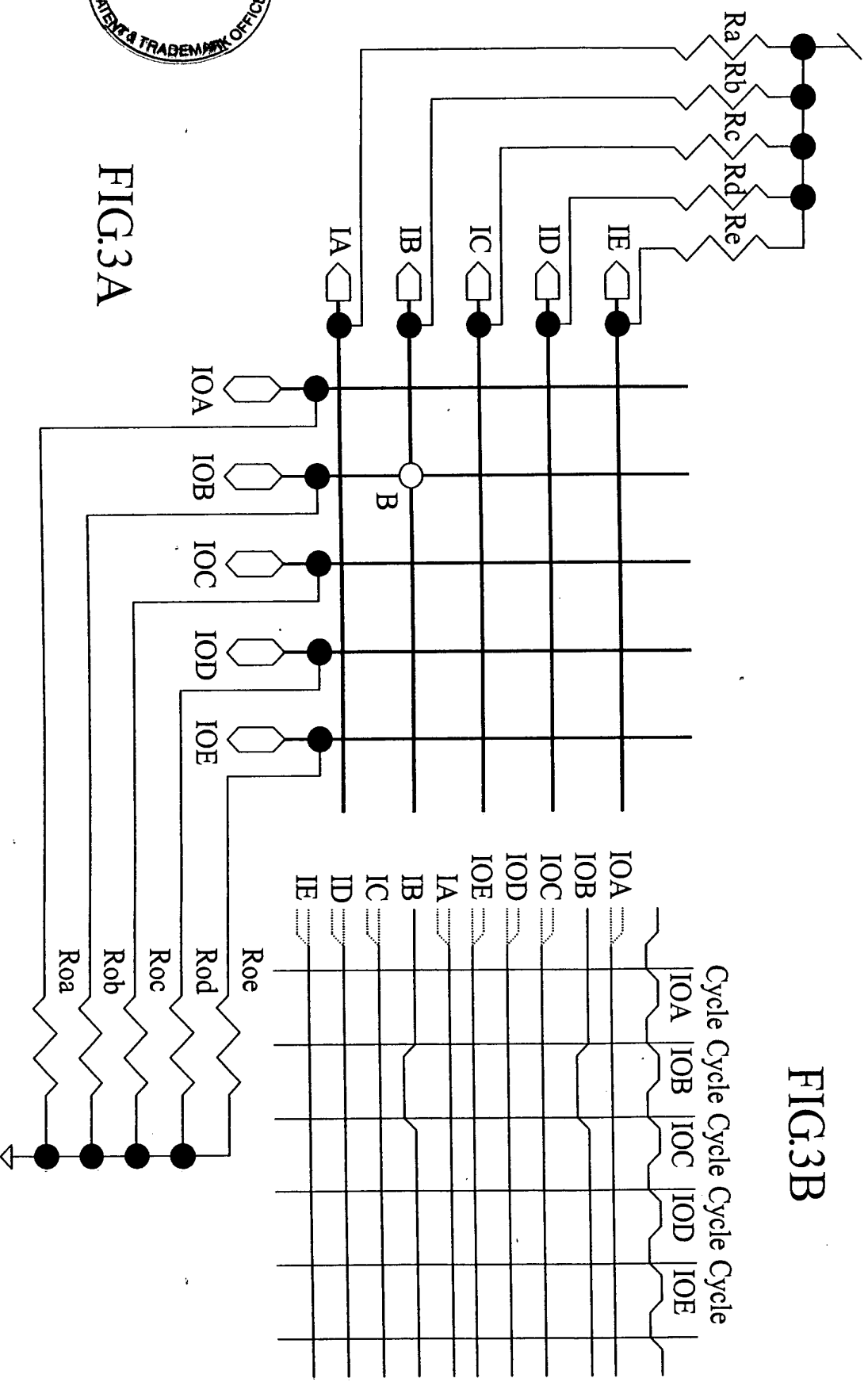
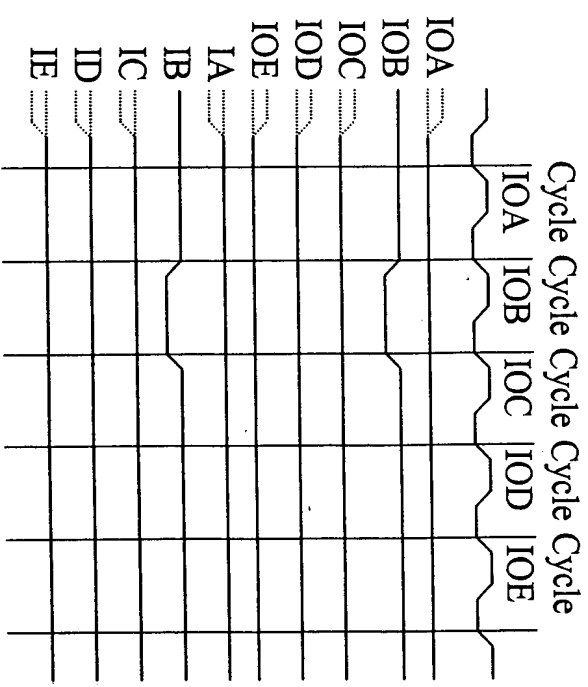


FIG.3B



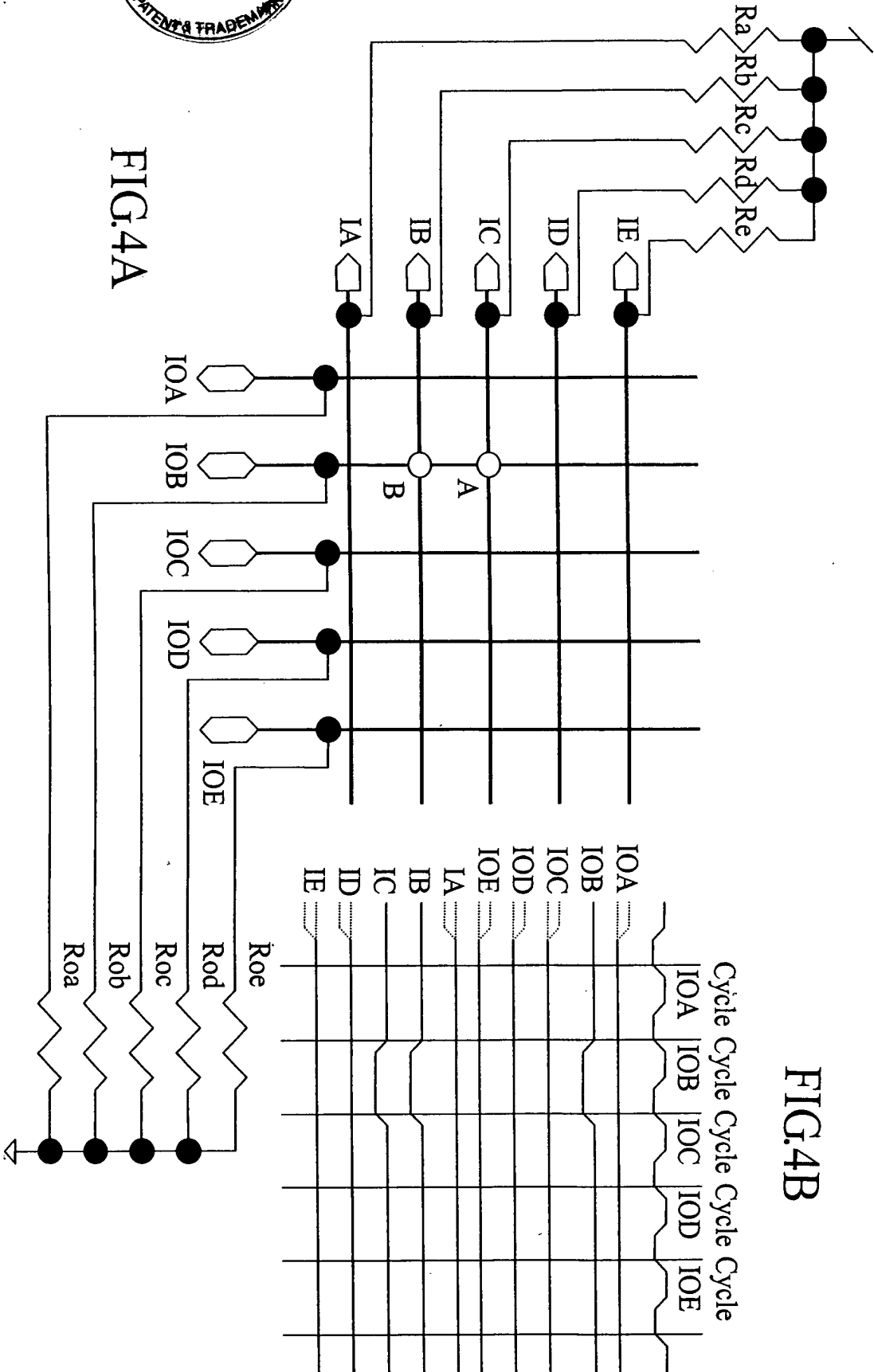


FIG.4A

FIG.4B

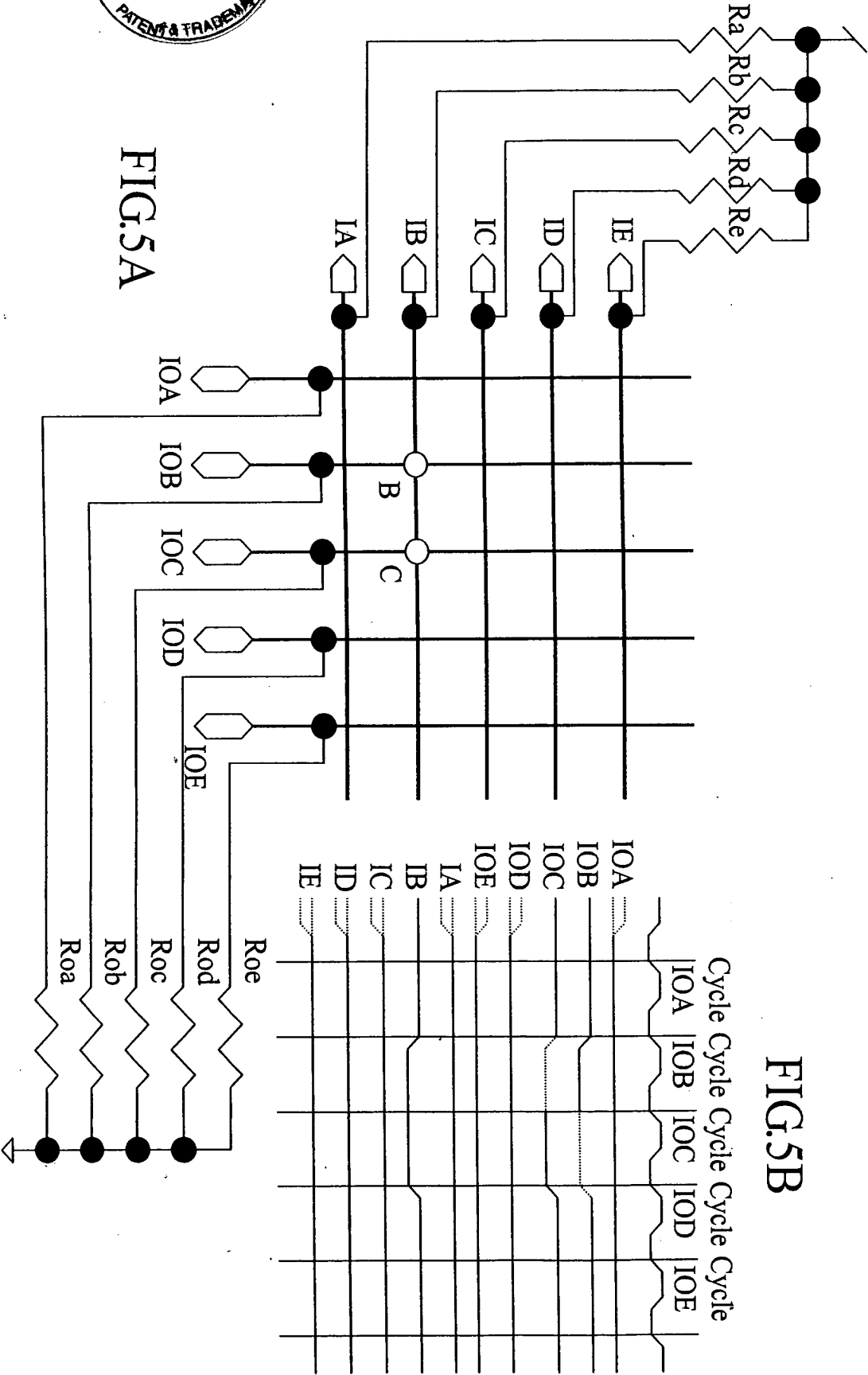
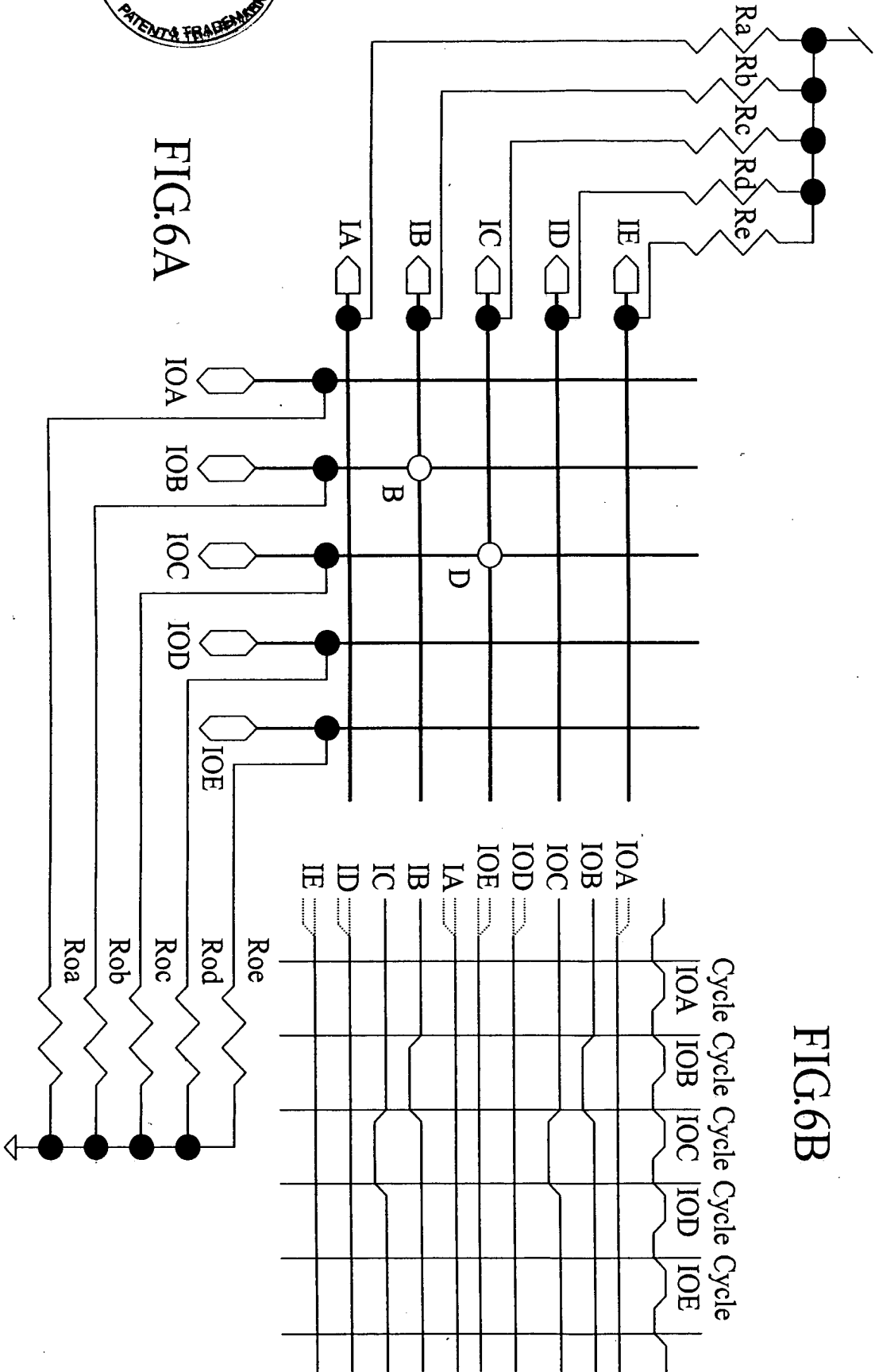


FIG.5A

FIG.5B



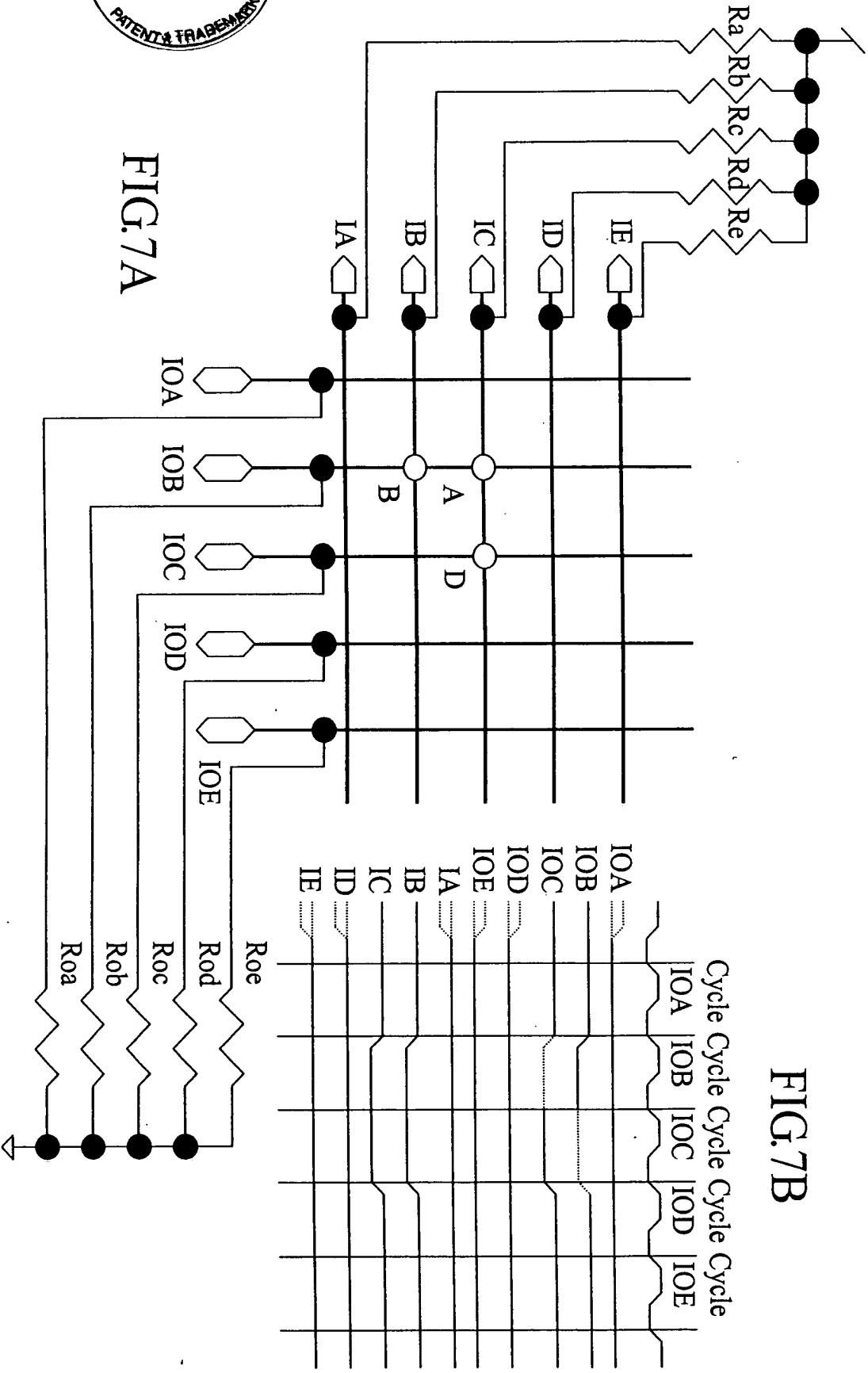


FIG.7A

FIG.7B



FIG.8A

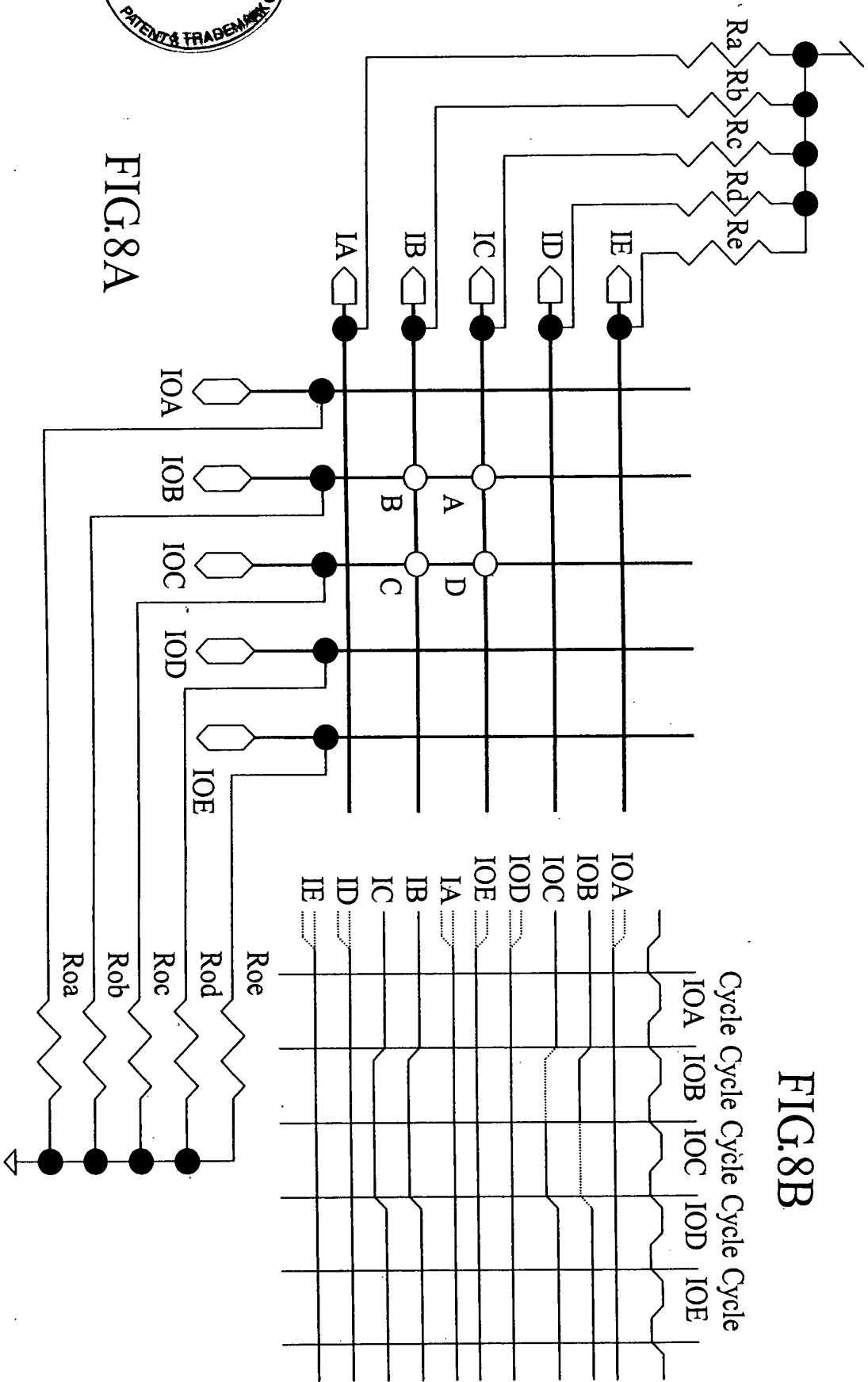


FIG.8B

